

LOCINOX[®]

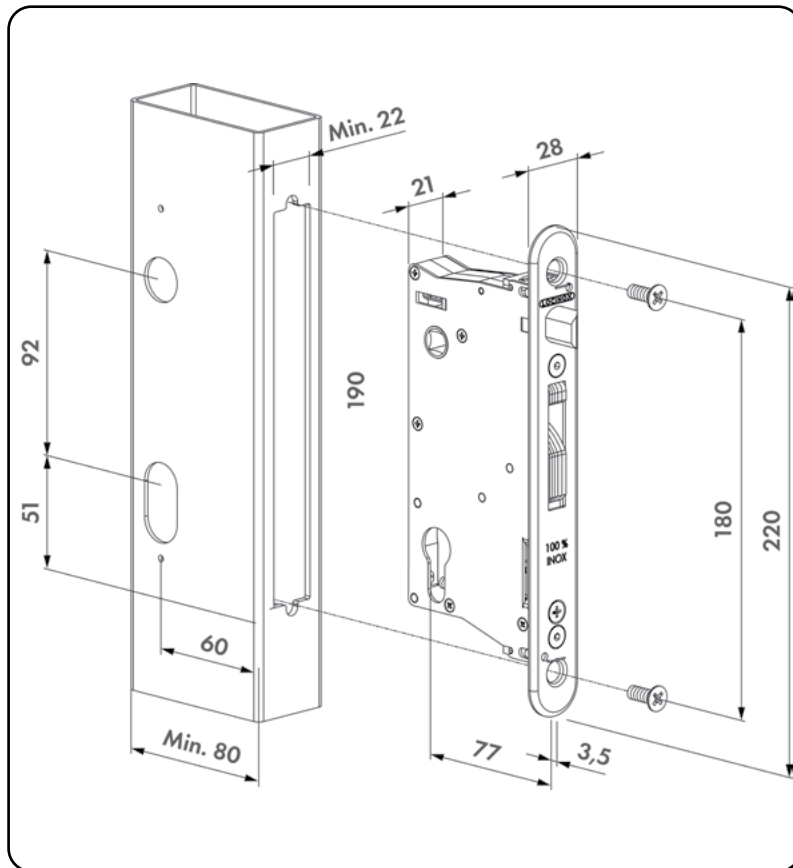
Insert lock for profiles of 80 mm or more

EIGHTYLOCK

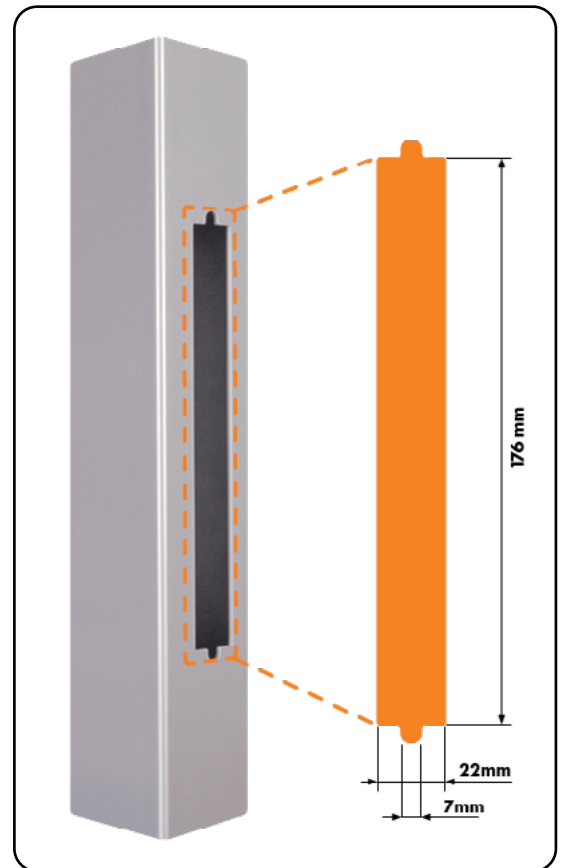


EASY AND FAST INSTALLATION

INSTALLATION MEASUREMENTS



NEW PROFILE PREPARATION



SPECIFICATIONS

- ✓ Stainless steel lock mechanism with cover plate against dirt penetration
- ✓ Mechanism, hook, frontplate, latchbolt: stainless steel
- ✓ Backset 60 mm, for mounting in profiles of 80 mm of depth or more
- ✓ Continuous adjustment of the daybolt up to 10 mm without dismounting the lock box
- ✓ Key-operated self-latching bolt
- ✓ Easy left or right changing of the self-latching daybolt
- ✓ Throw of the hook: 21 mm
- ✓ Center-distance between cylinder and handles = 92 mm
- ✓ Compatible with Europrofile cylinder
- ✓ Handles to be ordered separately
- ✓ Perfect for wooden gates



LOCINOX



www.locinox.com



BE-HQ: +32 56 77 27 66
PL-CEE: +48 71 758 21 00



help@locinox.com

