

**LOCINOX**<sup>®</sup>

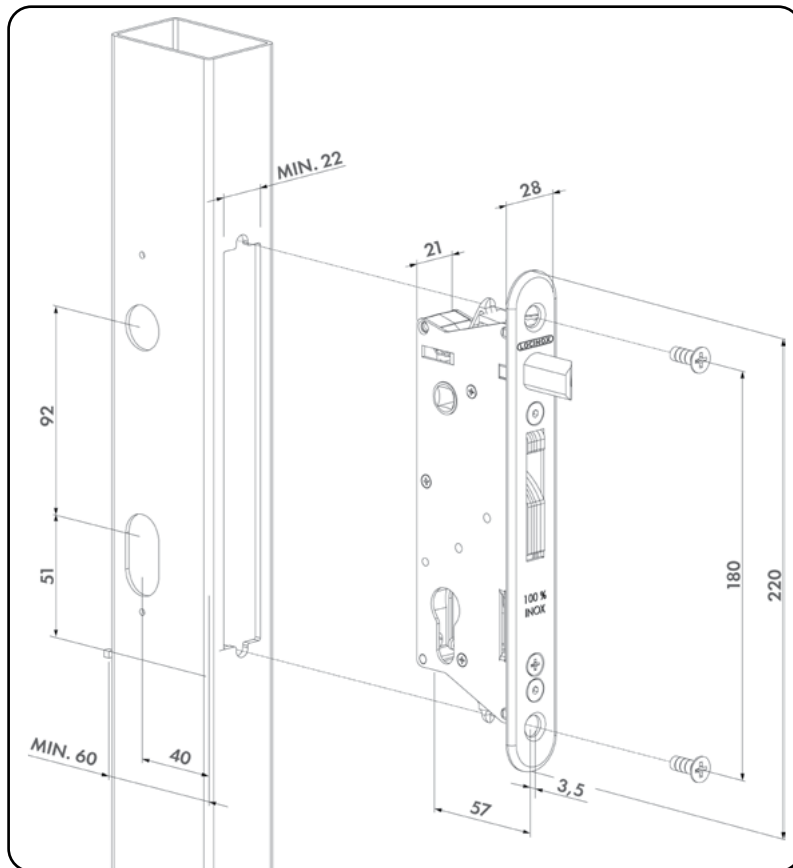
Insert lock for profiles of 60 mm or more

# SIXTYLOCK

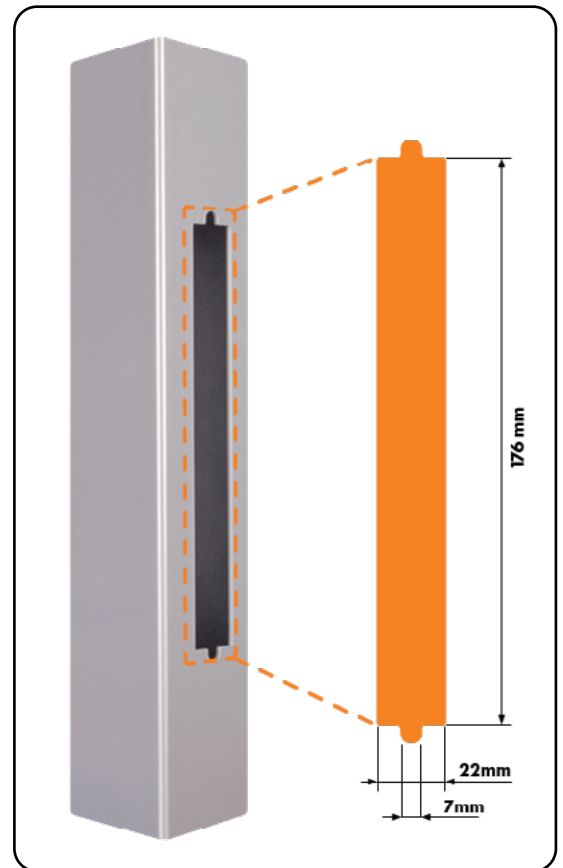


## EASY AND FAST INSTALLATION

### INSTALLATION MEASUREMENTS



### NEW PROFILE PREPARATION



## SPECIFICATIONS

- ✓ Stainless steel lock mechanism with cover plate against dirt penetration
- ✓ Mechanism, hook, frontplate, latchbolt: stainless steel
- ✓ Backset 40 mm, for mounting in profiles of 60 mm of depth or more
- ✓ Continuous adjustment of the daybolt up to 10 mm without dismounting the lock box
- ✓ Key-operated self-latching bolt
- ✓ Easy left or right changing of the self-latching daybolt
- ✓ Throw of the hook: 21 mm
- ✓ Center-distance between cylinder and handles = 92 mm
- ✓ Compatible with Europrofile cylinder
- ✓ Handles to be ordered separately
- ✓ Optional: cover shield for handle & cylinder holes in aluminium, polyamide or stainless steel



**LOCINOX**



[www.locinox.com](http://www.locinox.com)



**BE-HQ:** +32 56 77 27 66  
**PL-CEE:** +48 71 758 21 00



[help@locinox.com](mailto:help@locinox.com)

