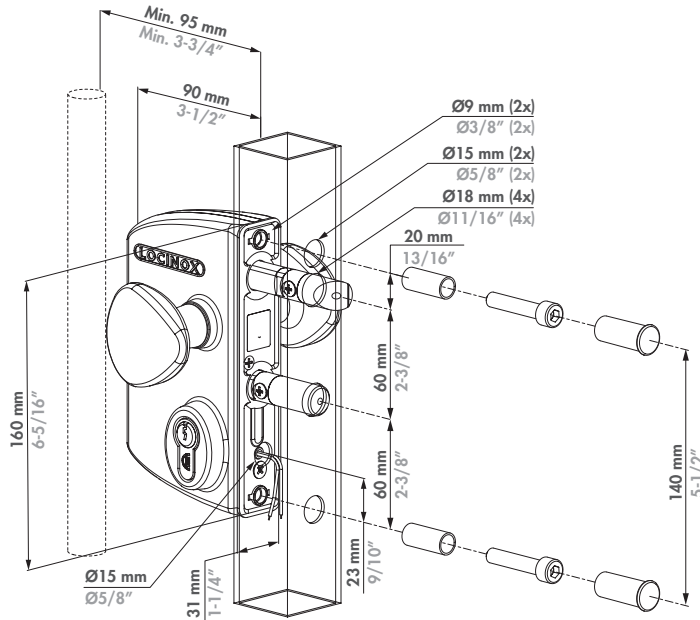


LOCINOX[®]

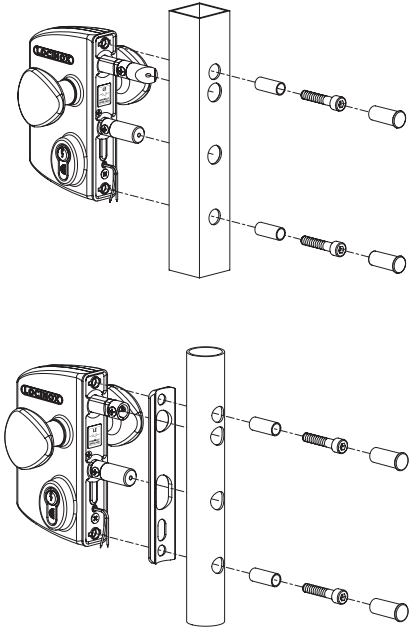
Let's make it better together

LEKQ U2 / LIKQ U2

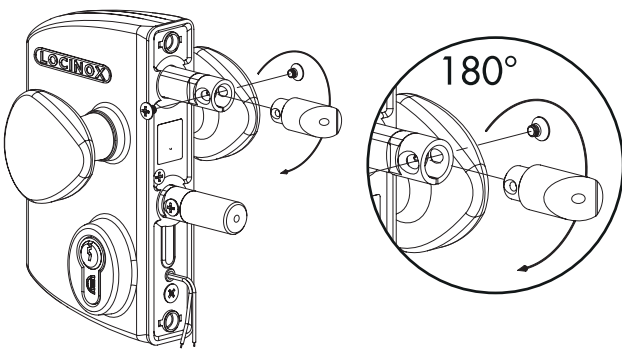
① Exploded view & Dimensions



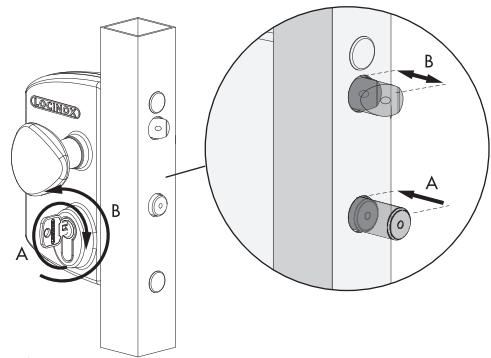
② Profile types



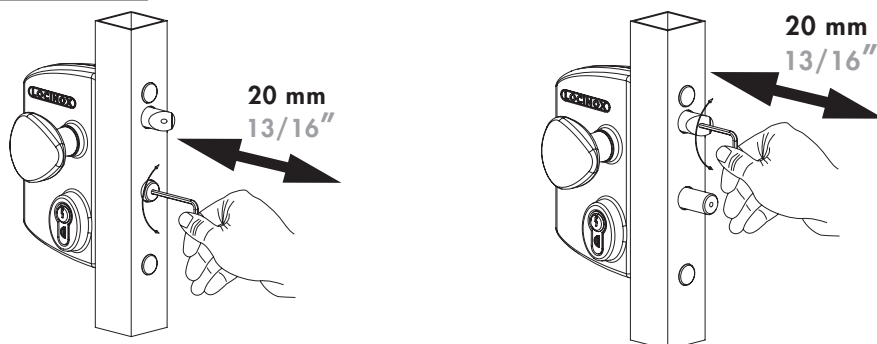
③ Left/Right Changing



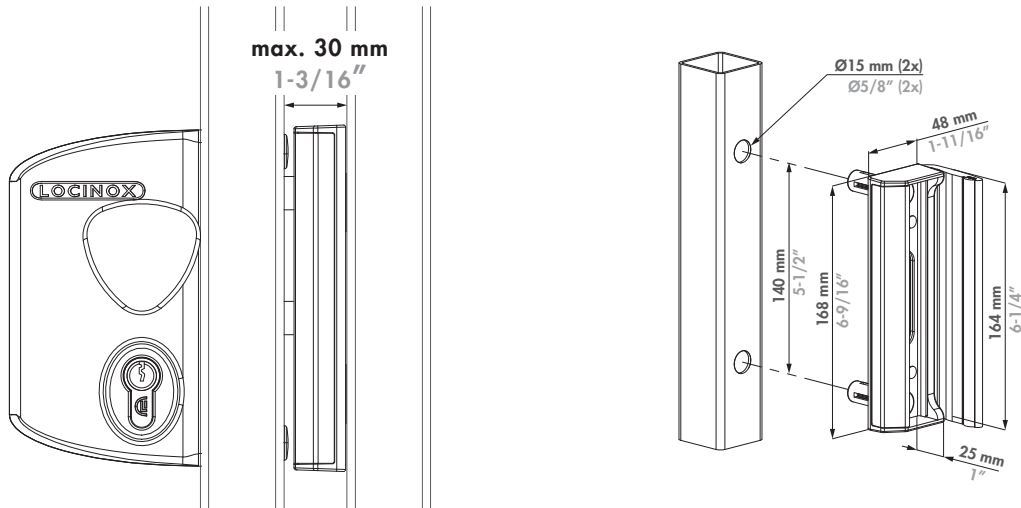
④ Key Operated (B) & Throw (A)



⑤ Throw Adjustment



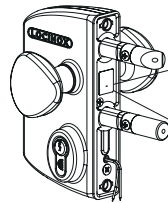
⑥ SAKL QF - Industrial Keep



⑦ Remarks



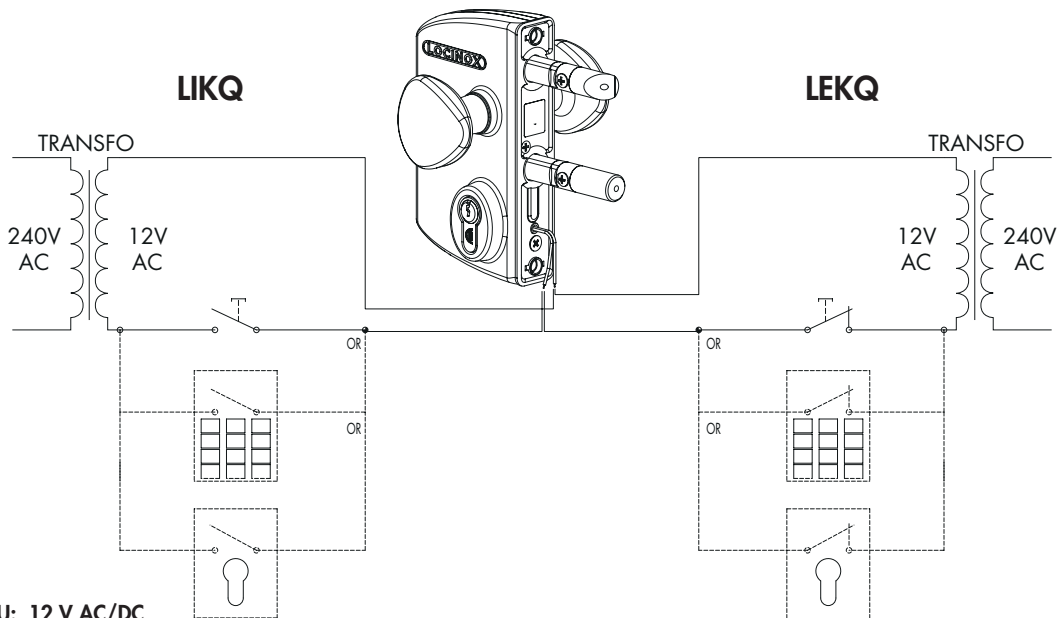
Please check the
Failsafe sticker to
check the lock type.



LEKQ - Fail open
Lock opens when power
is cut off

LIKQ - Fail close
Lock closes when power
is cut off

⑧ Connecting - Raccordement - Aansluiting - Anschließen



U: 12 V AC/DC
I: 0,3 A
P: 3,6 W

LOCINOX[®]

Let's make it better together

Locinox NV • Brabantstraat 107 • 8790 Waregem • Belgium • www.locinox.com
Locinox CEE • Irysowa 9 • 55-040 Bielany Wrocławskie • Poland
Locinox LLC • 460 Windy Point Drive • Glendale Heights - IL 60139 • USA

Doc. Nr.: MANU-000235



* M A N U - 0 0 0 2 3 5 *