

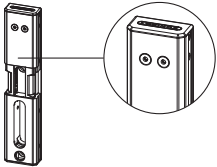
LOCINOX[®]

Let's make it better together

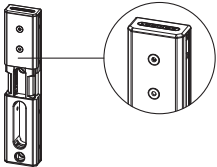
MODULEC-SH: Emissa/Ruptura

Versions

EMISSA-(fail close)

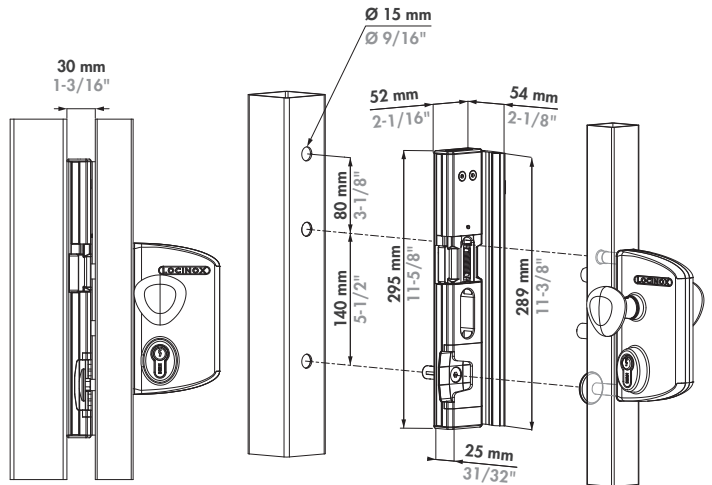
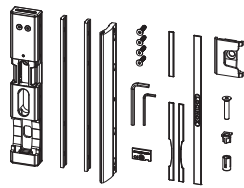


RUPTURA-(fail open)

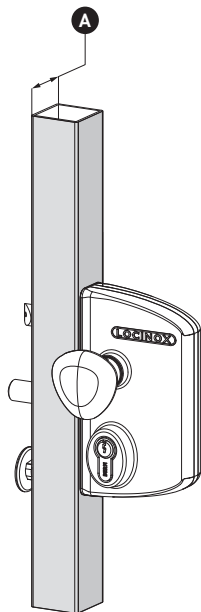


① Exploded view & dimensions

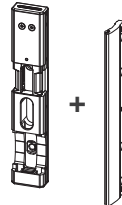
Package content



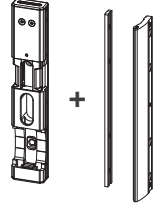
② Gate profile dimensions



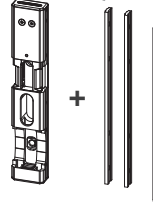
A = 40 mm
1-5/8"



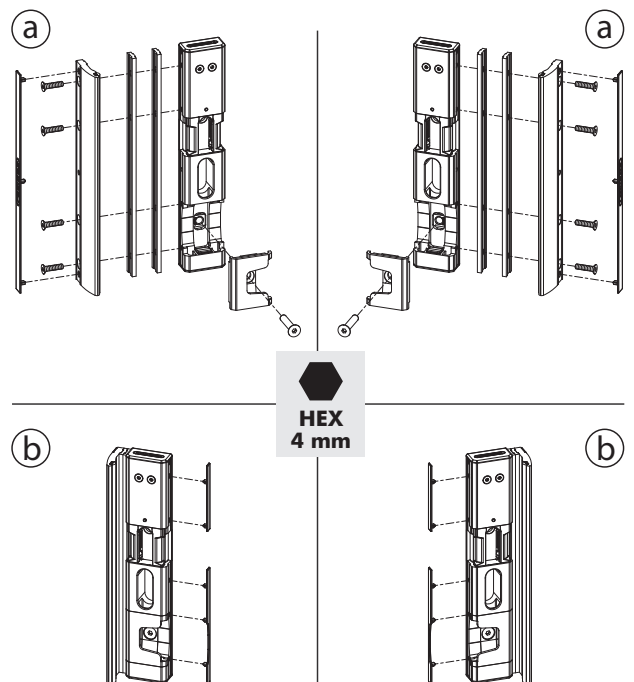
A = 50 mm
2"



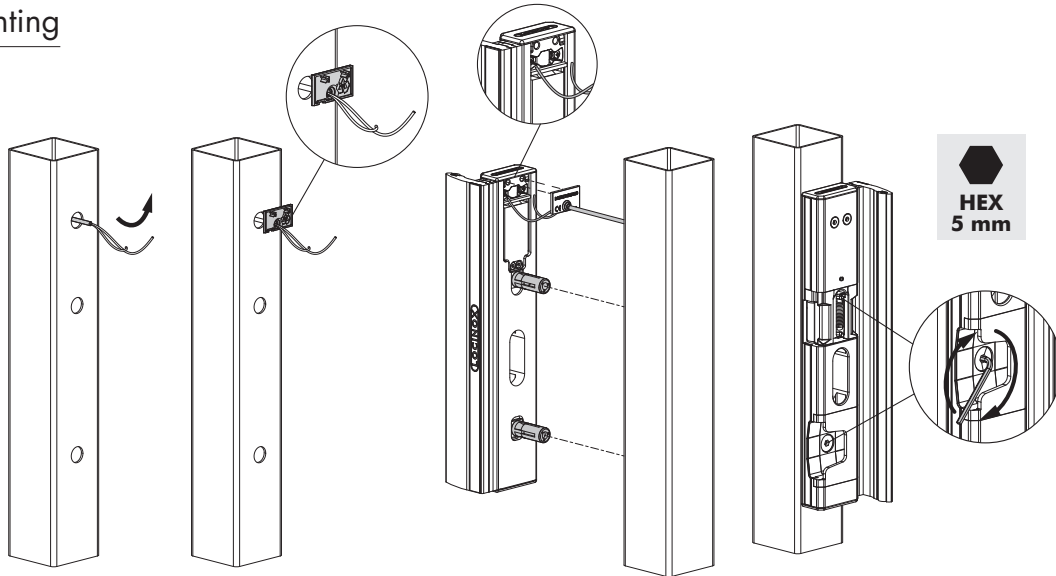
A = 60 mm
2-3/8"



③ Left or right mounting



④ Mounting

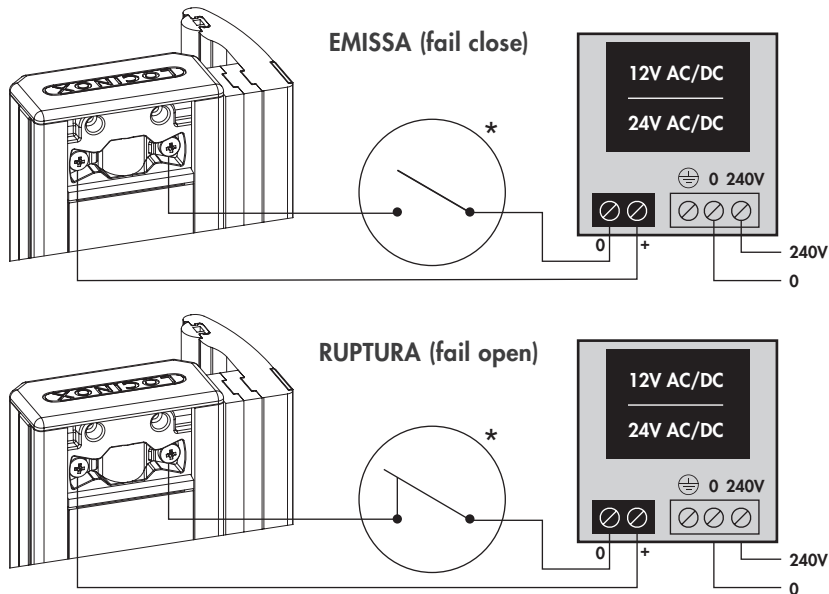


⑤ Connecting

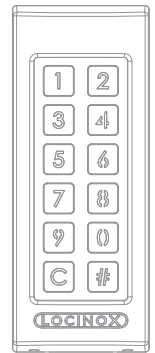
Technical specifications



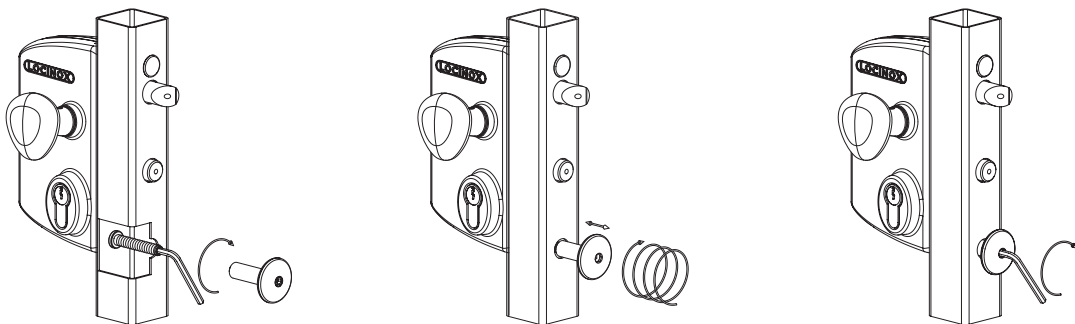
U: 12 V AC/DC
I: 1,25 A
U: 24 V AC/DC
I: 0,62 A
P: 15 W



*Optional SlimStone keypad



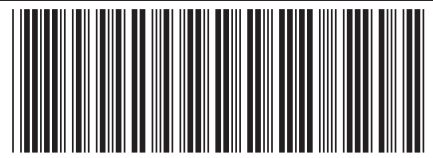
⑥ Mounting the mushroom on gate lock



LOCINOX
Let's make it better together

Doc. Nr.: MANU-000375

Locinox NV • Brabantstraat 107 • 8790 Waregem • Belgium • www.locinox.com
Locinox CEE • Irysowa 9 • 55-040 Bielany Wrocławskie • Poland
Locinox LLC • 460 Windy Point Drive • Glendale Heights - IL 60139 • USA



* M A N U - 0 0 0 3 7 5 *