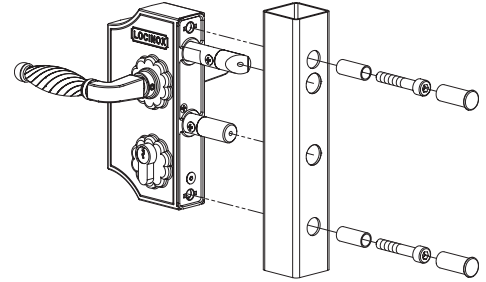


LOCINOX[®]

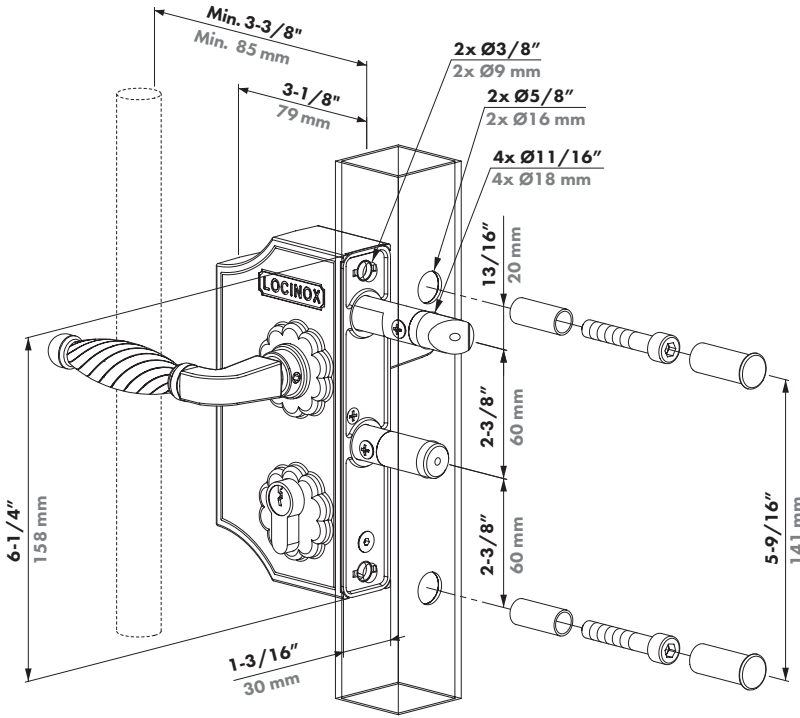
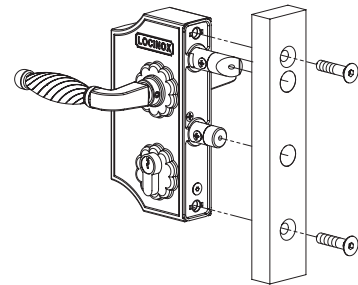
Let's make it better together

CODE: LAKY-F2

Tube mount application

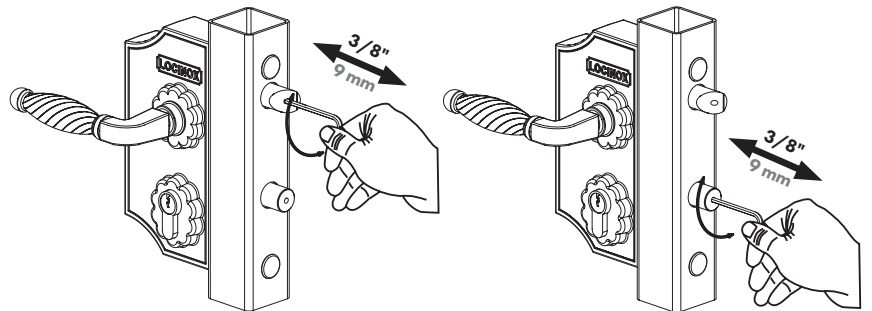
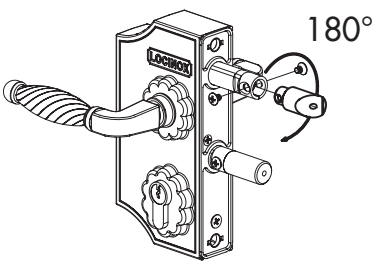


Flat mount application



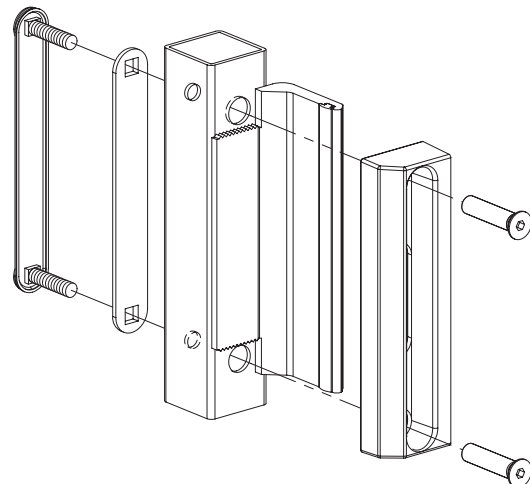
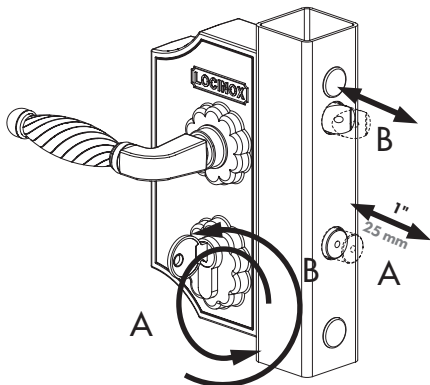
Left / Right

Throw adjustment 3/8"



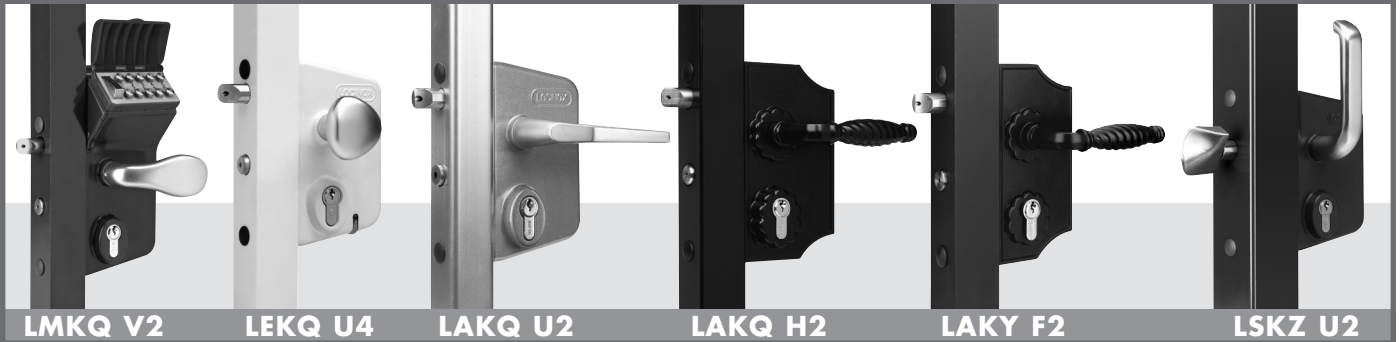
Key operated (B) & Throw (A)

Keeper installation drawing

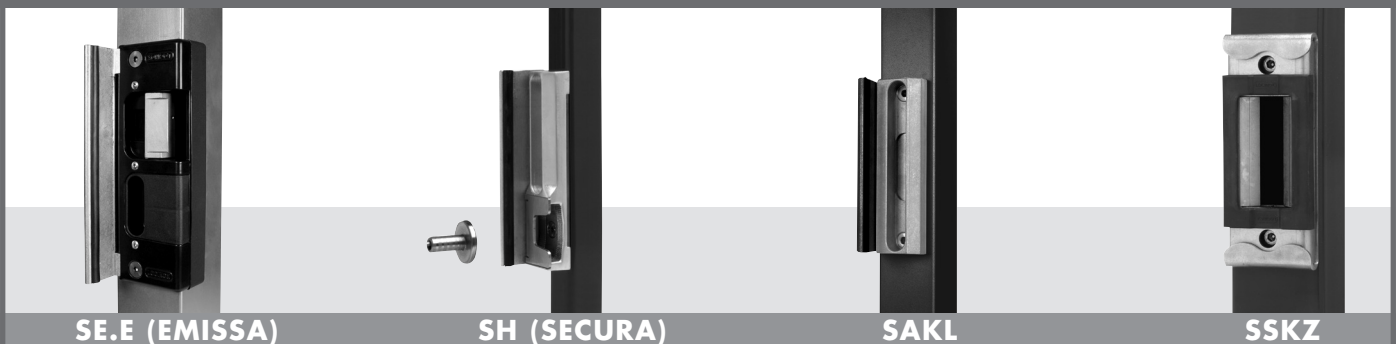


LOCINOX[®]

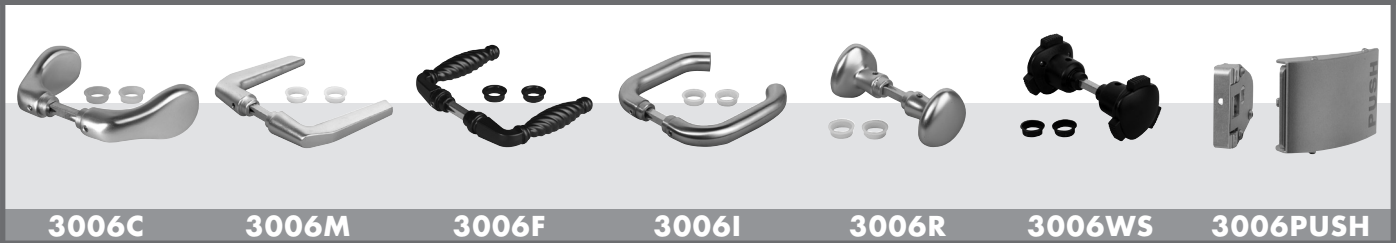
LOCKS - CERRADURAS - SERRURES



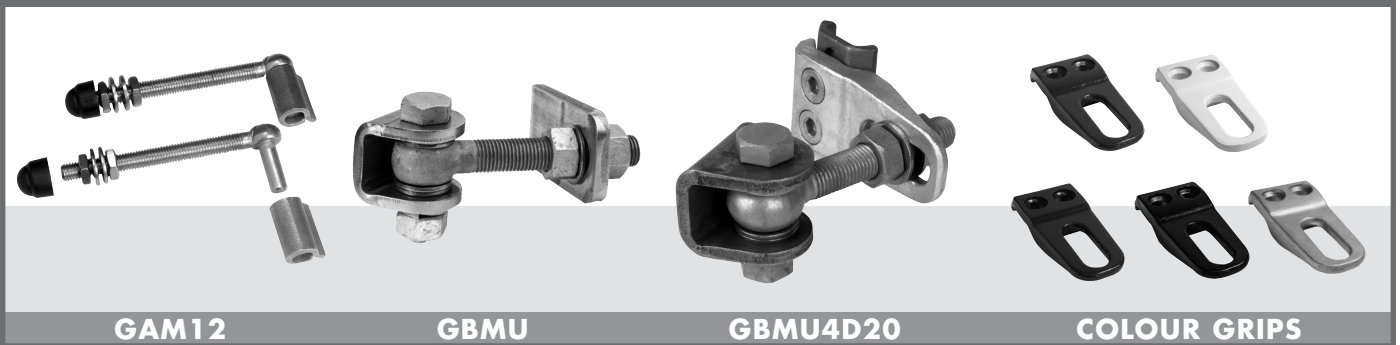
KEEPERS - CERRADEROS - GÂCHES



HANDLES - MANILLAS - POIGNÉES



HINGES - BISAGRAS - CHARNIÈRES



Doc. Nr.: MANU-000052



Locinox NV • Brabantstraat 107 • 8790 Waregem • Belgium • www.locinox.com
 Locinox CEE • Irysowa 9 • 55-040 Bielany Wrocławskie • Poland
 Locinox LLC • 460 Windy Point Drive • Glendale Heights - IL 60139 • USA

* M A N U - 0 0 0 0 5 2 *